



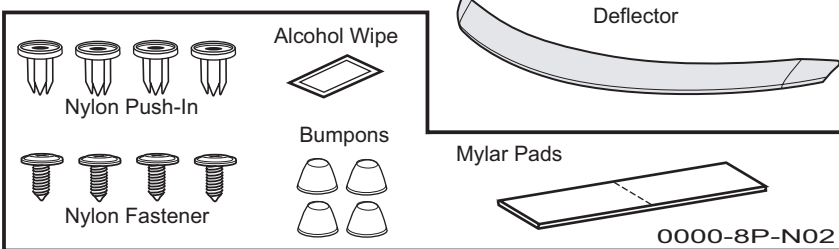
GENUINE ACCESSORIES
INSTALLATION INSTRUCTIONS

PART NUMBER
0000-8P-N01

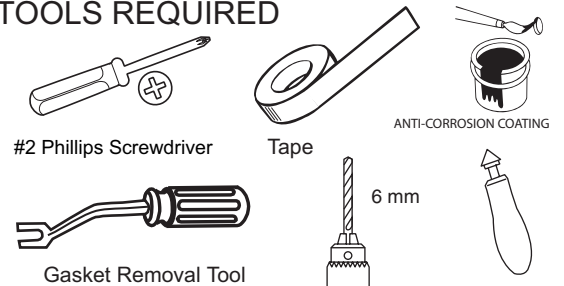
HOOD PROTECTOR

APPLICABLE MODEL:
2007>CX-9

KIT CONTENTS



TOOLS REQUIRED

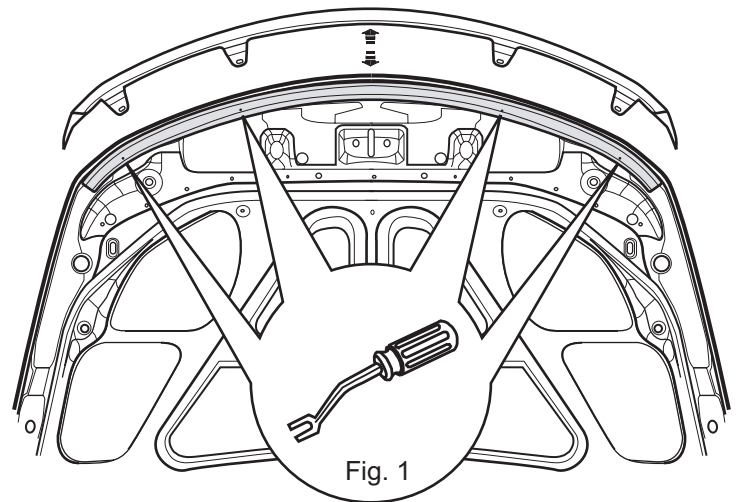


Before Installation

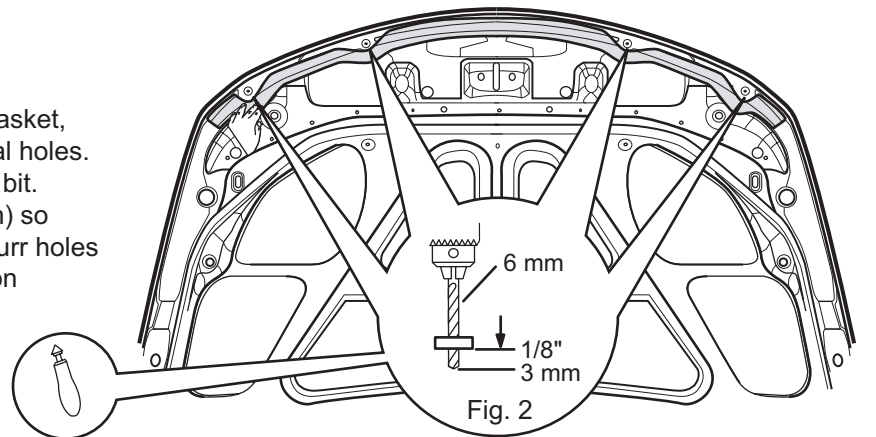
1. Read entire installation instructions before beginning.
2. Clean the area around vehicle hood using a mixture of 50/50 isopropyl alcohol and water.

1 Installation

1. Open hood and locate the plastic fasteners to be removed (Fig. 1). Use the shield as a guide to locate fasteners.
2. Using the trim removal tool, remove the fasteners. Be careful not to tear the rubber seal (Fig. 1).

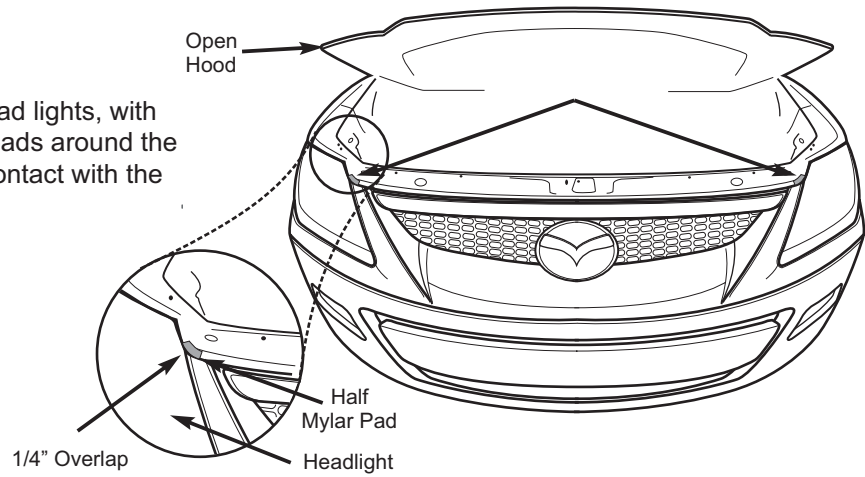


3. After removing the fasteners from the gasket, gently pull back the rubber seal to reveal holes. Carefully drill out holes with a 6mm drill bit. Tape the drill bit to a depth of 1/8" (3mm) so you do not drill through the hood. De-burr holes with de-burring tool. Apply anti-corrosion coating to holes.

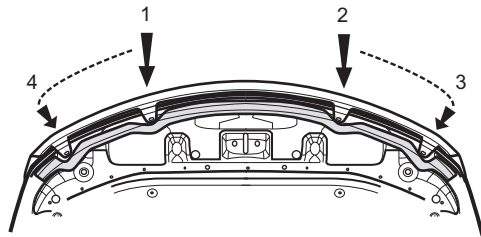


Installation (Continued)

4. Clean surface area around the head lights, with an alcohol pad. Apply the mylar pads around the headlights, where there may be contact with the shield.



5. While holding the rubber seal down, lower the deflector onto hood aligning the holes in the tabs of the deflector with applicable holes in the hood (Fig. 3). Restore the rubber seal once shield is aligned with the holes.



START FROM MIDDLE AND WORK OUT

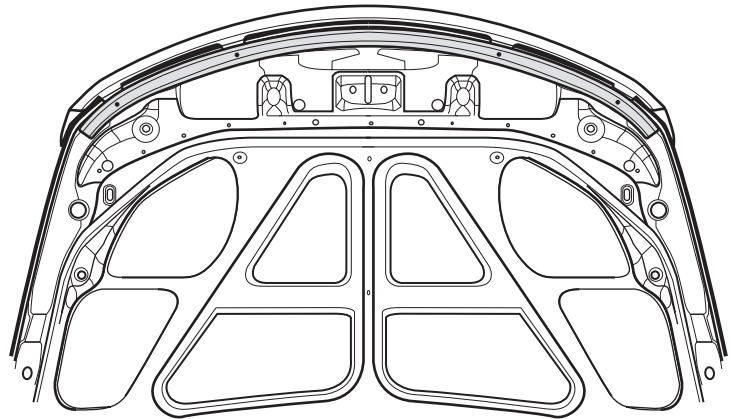


Fig.3

6. Insert the Nylon Push-In using your fingers, through the shield, the hood, and the gasket. (Fig.4)

Using a large head screwdriver, push the fastener into the insert until it sits flush. (Fig.5)

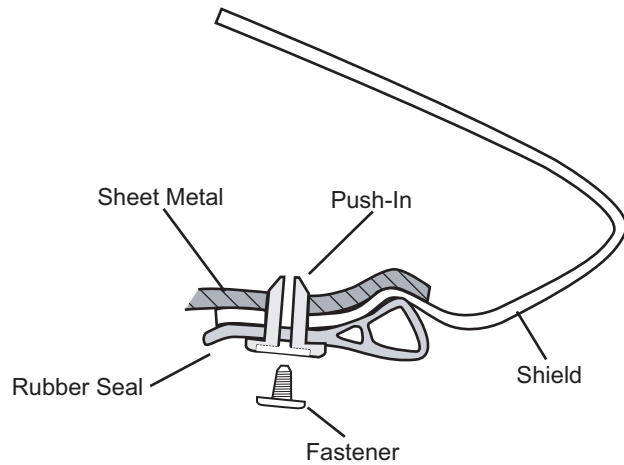


Fig.4

7. Repeat this step for the remaining 3 holes.

PRESS FIRMLY!!

Installation (Continued)

8. Properly locate the deflector and assure:
 - a. The deflector is seated in contours.
 - b. The deflector is centered side to side.
 - c. The holes in the deflector are aligned with holes into hood.

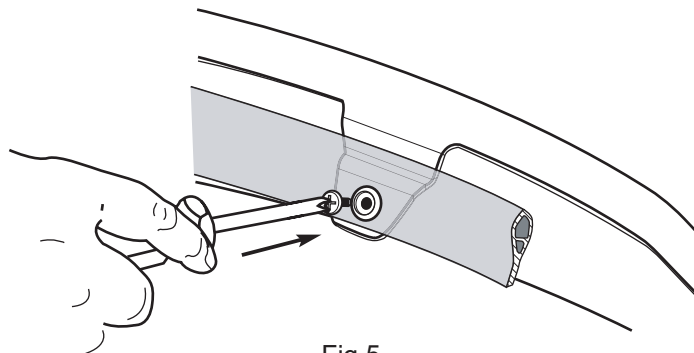
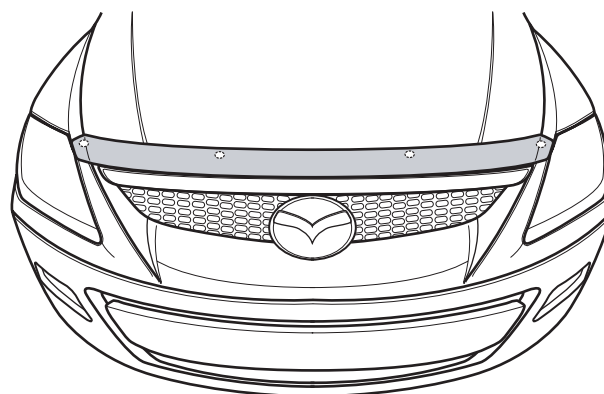


Fig.5

9. Close the hood.

The bumpons will be positioned directly below the stickers on the deflector and adhered to the sheet metal surface. Clean the areas on the hood where the bumpons will be applied with one of the alcohol wipes. Position all bumpons to be parallel to the back edge of the deflector. Install bumpons to hood, between the deflector and sheet metal surface. Assure the bumpons are completely adhered to the sheet metal by applying adequate pressure.



10. Remove bumpon location stickers.
11. Provide Installation Instructions to Customer.

2 Cleaning Instructions

USE OF AUTOMATIC CAR WASH WITH THIS ACCESSORY INSTALLED IS NOT RECOMMENDED

Use mild soap to clean the hood deflector. Do not use ammonia or glass cleaners containing ammonia. This will damage the surface finish to the deflector.